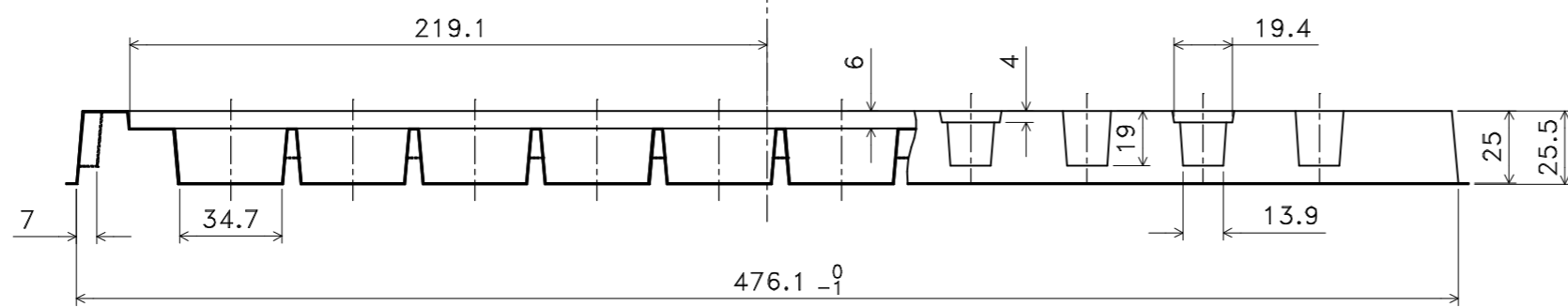
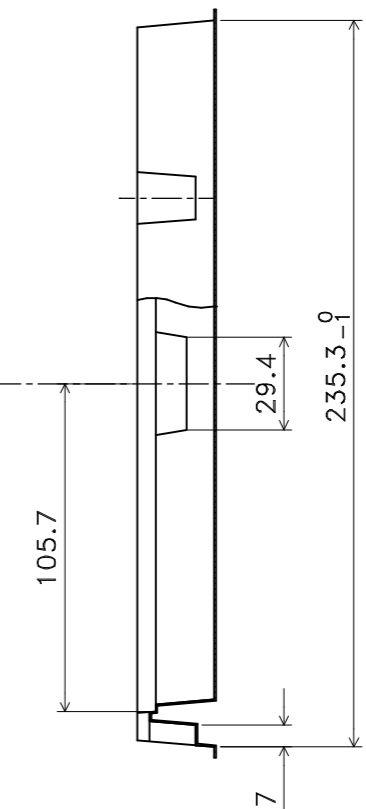
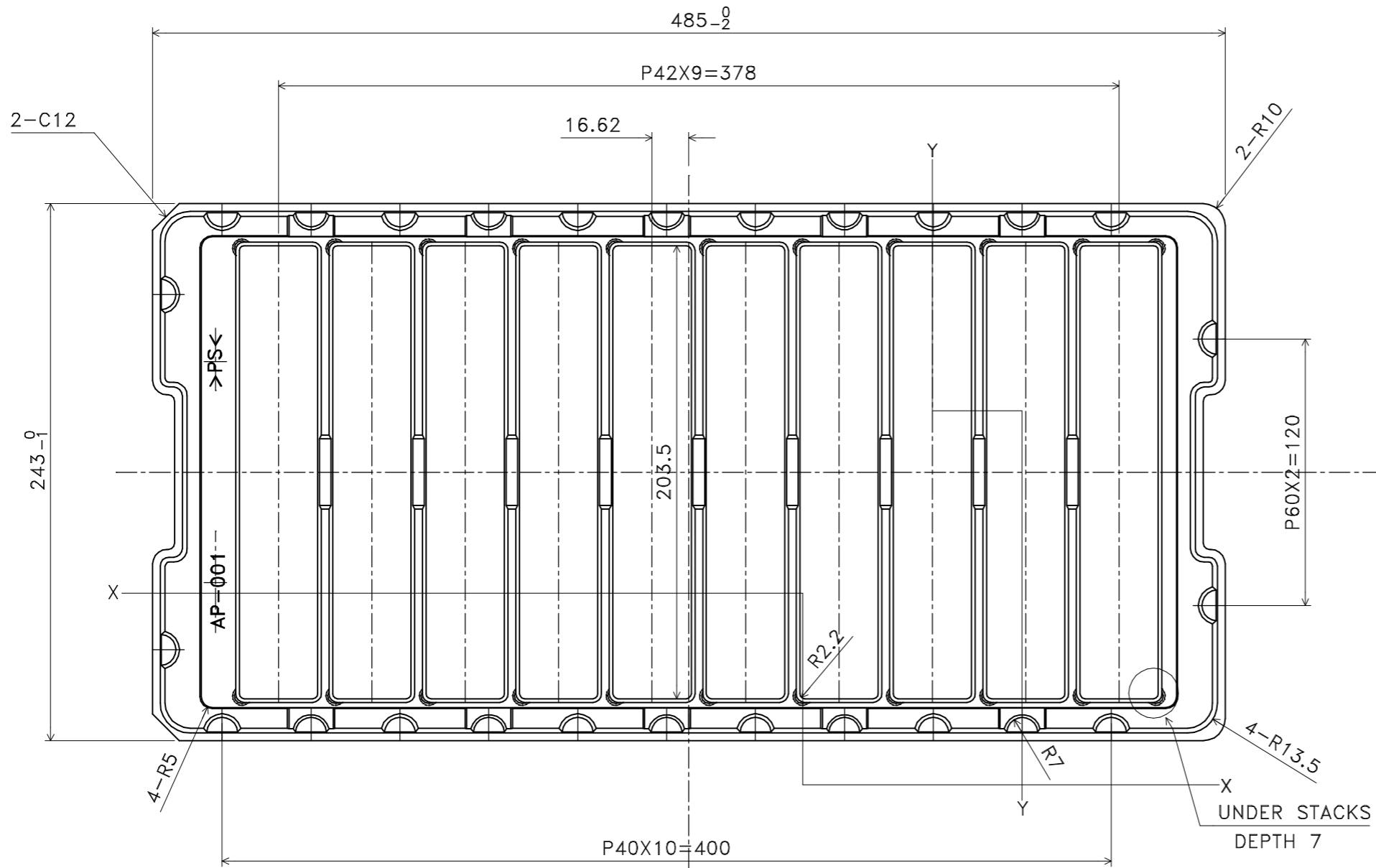



USED ON  
--



NOTES  
 1. GENERAL TOLERANCE,  $\pm 0.5$   
 2. MATERIAL, PS0.5t (COLOR, NATURAL) ANTI-STATIC  
 3. DRAFT ANGLE,  $5^\circ$  MAX, TYP.

DVN	07 MAR 2005	MATERIAL	HEAT TREAT
CHK	07 MAR 2005	 YOSHIDA PACKAGE CO.,LTD KAWASAKI, JAPAN	
APVD	07 MAR 2005		
NAME	J.OSHIMA Jr. YOSHIDA Jr. YOSHIDA		
TRAY FOR 10 POCKETS (Product Drawing)			
SCALE	SIZE	DRAWING NO	SHEET
	A3	AP-001	1 OF 1
			REV 0

LDC  
DIST