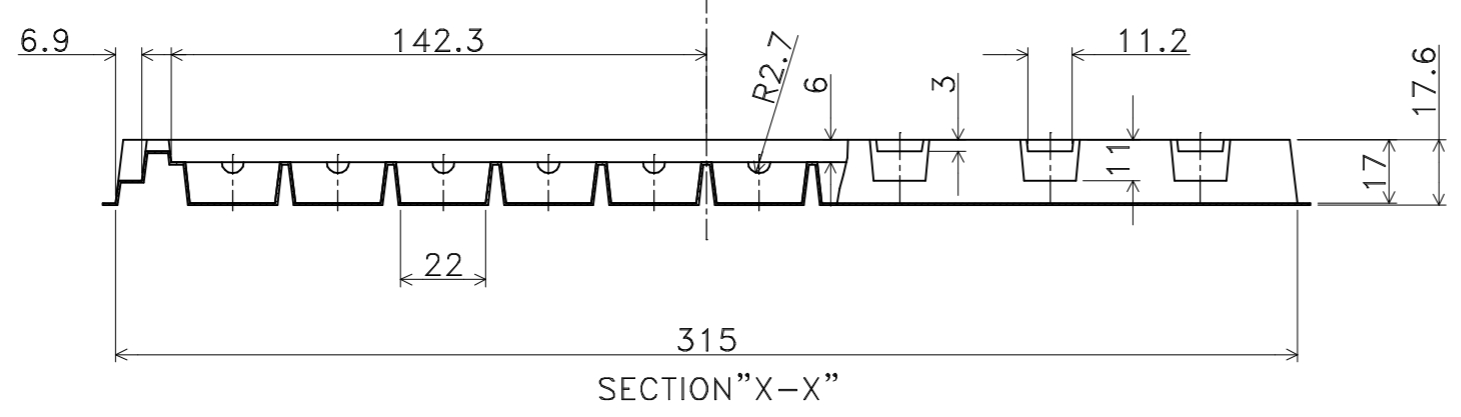
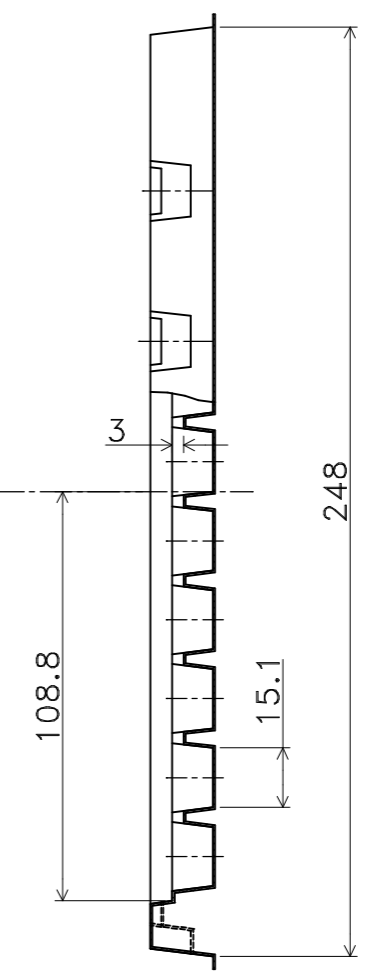
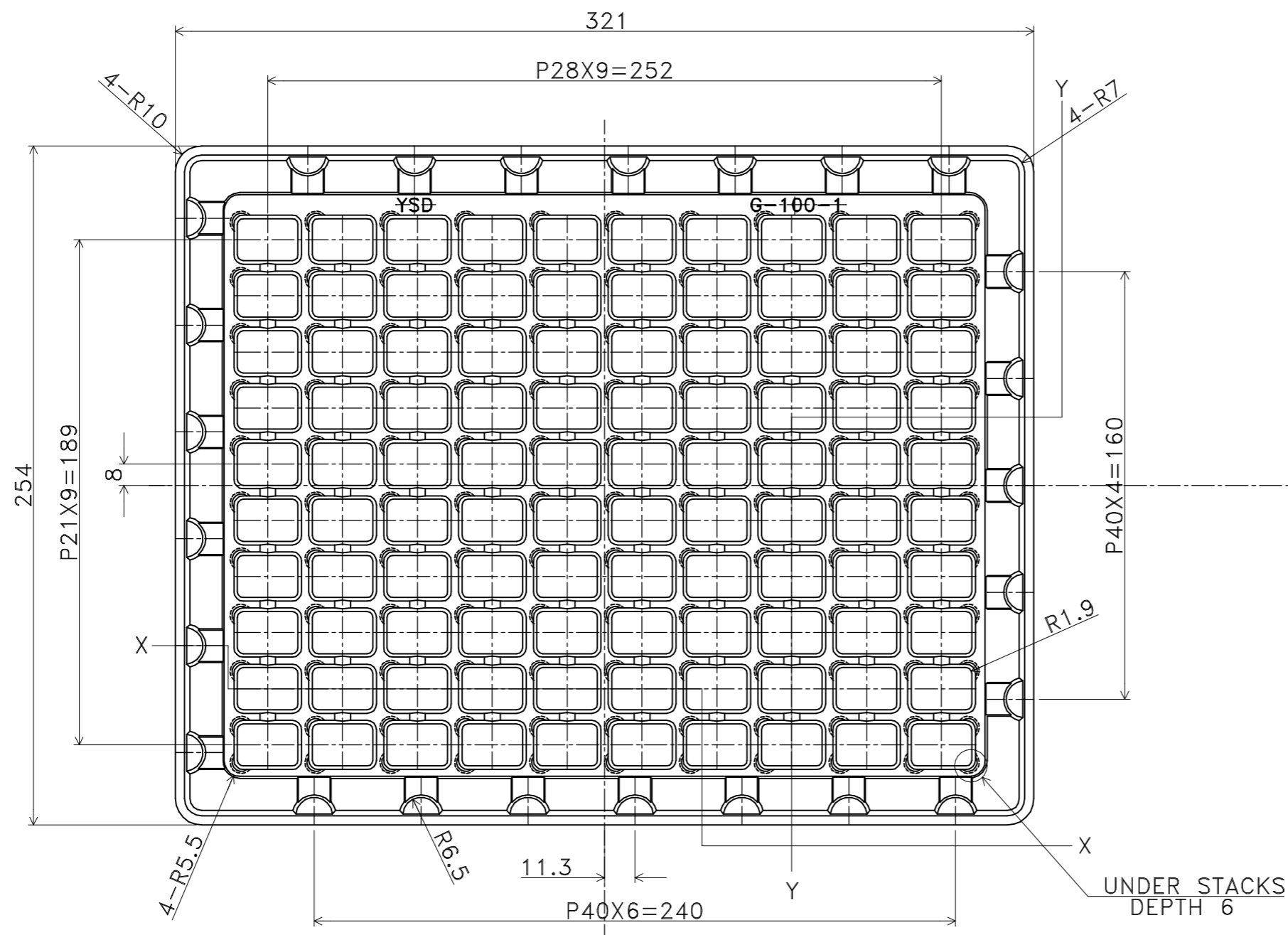


USED ON
--



NOTES

1. GENERAL TOLERANCE, ± 0.5
2. MATERIAL, PP 0.60t (COLOR, NATURAL) ANTI-STATIC
3. DRAFT ANGLE, 7°00' MAX, TYP.
4. INDICATE THE P/N (5m/m CHARACTER SIZE)

LOC
DIST

DVN	11 MAY 2005	MATERIAL	HEAT TREAT
CHK	Jr. YOSHIDA		
CHK	11 MAY 2005		
APVD	Jr. YOSHIDA		
APVD	11 MAY 2005		
NAME	Jr. YOSHIDA		
TRAY FOR 100 POCKETS		(Product Drawing)	
SCALE	SIZE	DRAWING NO	SHEET
	A3	G-100-1	1 OF 1
			REV
			0