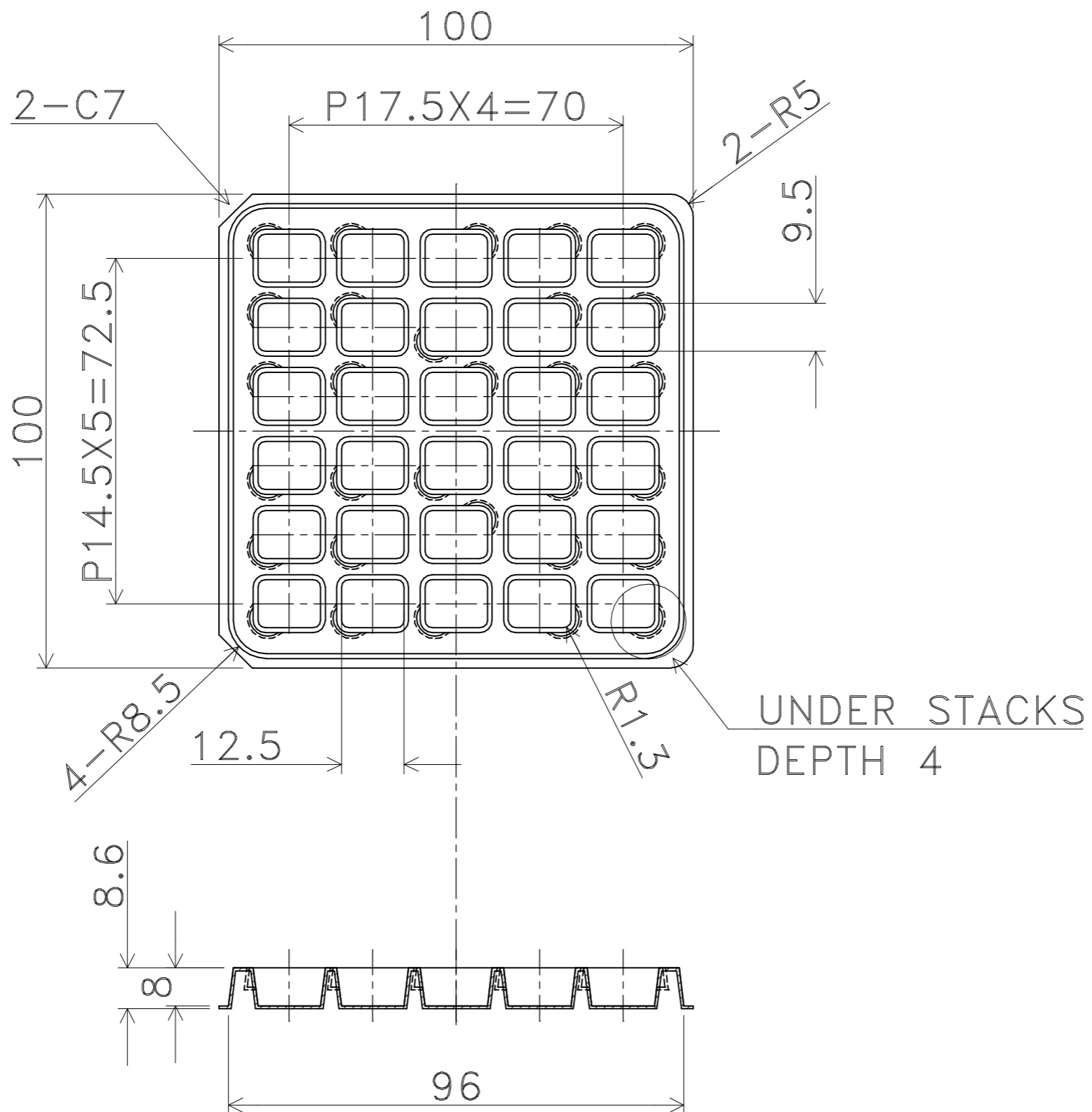



USED ON  
--



NOTES

1. GENERAL TOLERANCE,  $\pm 0.5$
2. MATERIAL, PS 0.60t (COLOR, NATURAL) ANTI-STATIC
3. DRAFT ANGLE,  $7^{\circ}00'$  MAX, TYP.
4. INDICATE THE P/N (5m/m CHARACTER SIZE)

DEVN	08 JULY 2006	MATERIAL	HEAT TREAT
CHK	08 JULY 2006	 YOSHIDA PACKAGE CO.,LTD KAWASAKI, JAPAN	
APVD	08 JULY 2006		
Jr. YOSHIDA Jr. YOSHIDA Jr. YOSHIDA		( Product Drawing )	
TRAY FOR 30 POCKET			
SCALE	SIZE	DRAWING NO	SHEET
	A3	Z-030-1R	1 OF 1
			REV
			0

LOC  
DIST